

MAINTENANCE MANUAL

McIntosh

MC240

STEREO POWER AMPLIFIER

(Serial No. 1P001 to 3P999
and 100D1 & above)

VOLTAGE AND RESISTANCE CHART

| Tube | Pin No. | DC Volts No. Signal | AC Volts at rated output | Resistance in Ohms Unit Off |
|-----------------------------------|---------------------|------------------------|-----------------------------|--------------------------------|
| 12AX7 (V1) | 1 | 103 | 1.9 | 160K* |
| | 2 | 0 | .42 | 1M |
| | 3 | .7 | .41 | 3.3K |
| | 4 & 5 | 0 | 0 | 0 |
| | 6 | 103 | 1.9 | 160K* |
| | 7 | 0 | .42 | 1M |
| | 8 | .7 | .41 | 3.3K |
| | 9 | 0 | 6.3 | 0 |
| | 12AU7 (V2 or V5) | 1 | 205 | 11 |
| 2 | 103 | 1.9 | 160K* | |
| 3 | 108 | .9 | 18K | |
| 4 & 5 | 0 | 0 | 0 | |
| 6 | 205 | 11 | 43K* | |
| 7 | 85 | 0 | 2.4M* | |
| 8 | 108 | .9 | 18K | |
| 9 | 0 | 6.3 | 0 | |
| 12BH7 (V3 or V6) | 1 | 350 | 144 | 12K* |
| | 2 | 18 | 11 | 200K |
| | 3 | 35 | .6 | 2.7K |
| | 4 & 5 | 0 | 0 | 0 |
| | 6 | 350 | 144 | 12K* |
| | 7 | 18 | 11 | 200K |
| | 8 | 35 | .6 | 2.7K |
| | 9 | 0 | 6.3 | 0 |
| | 12AX7 (V4 or V7) | 1 | 430 | 108 |
| 2 | -46 | 144 | 1.1M | |
| 3 | -46 | 136 | 260K | |
| 4 & 5 | 0 | 0 | 0 | |
| 6 | 430 | 108 | 26* | |
| 7 | -46 | 144 | 1.1M | |
| 8 | -46 | 136 | 260K | |
| 9 | 0 | 6.3 | 0 | |
| 6L6GC/7027A (V8, V9, V10, V11) | 1 | - | - | - |
| | 2 | 0 | 0 | 0 |
| | 3 | 430 | 108 | 27* |
| | 4 | 430 | 108 | 26* |
| | 5 | -46 | 136 | 260K |
| | 6 | - | - | - |
| | 7 | 0 | 6.3 | 0 |
| | 8 | .7 | 108 | 26 |

STEREO PREAMP POWER CONNECTIONS

- PIN 1 - GROUND
- PIN 2 - L INPUT
- PIN 3 - R INPUT
- PIN 4 - GROUND
- PIN 5 - 375 V DC AT 15MA
- PIN 6 - 25.2 V AT 1.2A
- PIN 7 - 25.2 V CENTER TAP
- PIN 8 - 25.2 V AT 1.2A

600Ω/70.7 V OUTPUT RECEPICAL CONNECTIONS

- PIN 1 - GROUND, 70.7 V RETURN, AND 600 Ω C.T.
- PINS 1 AND 2 - LEFT 70.7 V OUTPUT
- PINS 2 AND 3 - LEFT 600 Ω OUTPUT
- PINS 1 AND 4 - RIGHT 70.7 V OUTPUT
- PINS 4 AND 5 - RIGHT 600 Ω OUTPUT

SINGLE CHANNEL (MONO) OUTPUT NOTE:

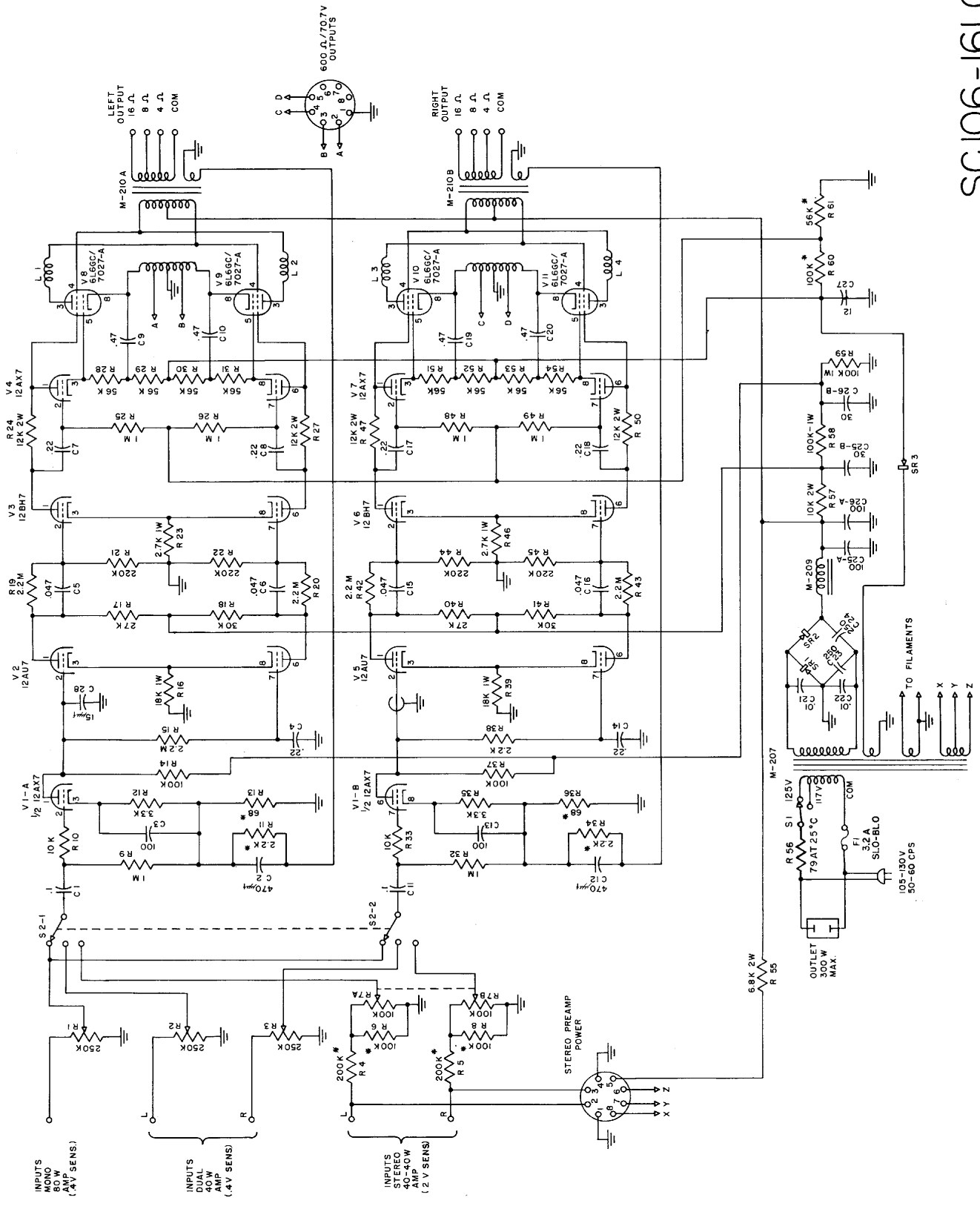
FOR SINGLE CHANNEL OUTPUT
PARALLEL OR SERIES CONNECT THE
L AND R OUTPUTS TO OBTAIN
DESIRED OUTPUT IMPEDANCE.

* 5% TOLERANCE RESISTORS

FOLLOWING COMPONENTS ARE
MATCHED TO 1%:

- R 11 AND R 34
- R 13 AND R 36
- R 24 AND R 27
- R 47 AND R 50

*This Resistance measured with condenser C25A shorted to ground.
A high impedance VTVM is used to measure the operating voltages and resistances.
BE SURE THE AMPLIFIER IS TURNED OFF WHEN MEASURING RESISTANCES.



SC106-161C

Special components used in the MC240 are listed below. These components are designed and built specifically for the MC240. They may be purchased directly from McIntosh Laboratory by ordering from the Service Department. Be sure to mention "Schematic No.," description, and model and serial number for your amplifier when ordering parts.

| SCHEMATIC NO. | DESCRIPTION |
|---------------|--|
| M207 | Power transformer |
| M210A | Left Output transformer |
| M210B | Right Output transformer |
| M209 | Choke |
| C23 | Filter Capacitor 250 mfd at 250 volts |
| C24 | Filter Capacitor 250 mfd at 250 volts |
| C25 A and B | Filter Capacitor 100/30 mfd at 500/450 volts |
| C26 A and B | Filter Capacitor 100/30 mfd at 500/450 volts |
| R56 | Thermistor |
| R1 | Input gain control 250,000 ohms |
| R2 | Input gain control 250,000 ohms |
| R3 | Input gain control 250,000 ohms |
| R7 A and B | Balance control |
| SR1 | Silicon Rectifier (B+), 600 PIV at 500 MA |
| SR2 | Silicon Rectifier (B+) " " " |
| SR3 | Selenium Rectifier (Bias), 400 PIV at 10 MA |
| L1 | Choke |
| L2 | Choke |
| L3 | Choke |
| L4 | Choke |

McIntosh LABORATORY, INC.

2 CHAMBERS STREET, BINGHAMTON, N. Y.

Made in U.S.A.

Phone—Area Code 607-723-5491